

# LRT SERIES

ROUGH TERRAIN SCISSOR LIFTS



## Performance

Platform Height – Elevated	
330LRT	10.06 m
430LRT	13.11 m
Capacity with Dual Extensions	
330LRT	905 kg
430LRT	565 kg
Capacity on Platform Extension	225 kg
Lift/Lower Time	
330LRT	35/37 sec.
430LRT	45/47 sec.
Maximum Drive Height	
330LRT	Full Height
430LRT	Full Height
Weight with Dual Extension	
330LRT	6,250 kg
430LRT	6,800 kg
Drive Speed – Lowered	
330LRT	5.6 km/h
430LRT	5.6 km/h
Drive Speed – Raised	
330LRT	0.8 km/h
430LRT	0.8 km/h
Gradeability	
330LRT	45%
430LRT	45%
Turning Radius (inside)	
330LRT	2.70 m
430LRT	2.70 m
Turning Radius (outside)	
330LRT	5.93 m
430LRT	5.93 m

## Standard Specifications

### Engine

Diesel Engine	
330LRT	Kubota D1305 T4i 21.7 kW
430LRT	Kubota D1305 T4i 21.7 kW
Fuel Tank Capacity	
330LRT	83.3 L
430LRT	83.3 L

### Tyres

Standard	12 x 16.5 Foam Filled, Non-marking
----------	------------------------------------

### Hydraulic System

Capacity	121.42 L
----------	----------



## Standard Features

- 4-wheel Drive
- Automatic Transmission
- 3-speed Drive Select
- Proportional Drive/Lift Up/Lift Down
- Oscillating Axle
- Leveling Jacks (outriggers)
- Dual Extension Deck
- Flashing Amber Beacon
- Self-closing, Self-locking Entry Gates
- Adjustable, Removable Platform Control Station
- Fold-down Handrails
- Horn
- Tilt Light and Alarm

## Accessories & Options

- AC Outlet to Platform, Including ELCB
- Wheel Chocks
- Squawker/White Noise Motion Alarm
- Platform Worklights
- Pipe Rack Accessory
- 5.5k VA Generator
- Flood Lights
- 1/2-in. Airline to Platform
- Fire Extinguisher
- Battery Isolator

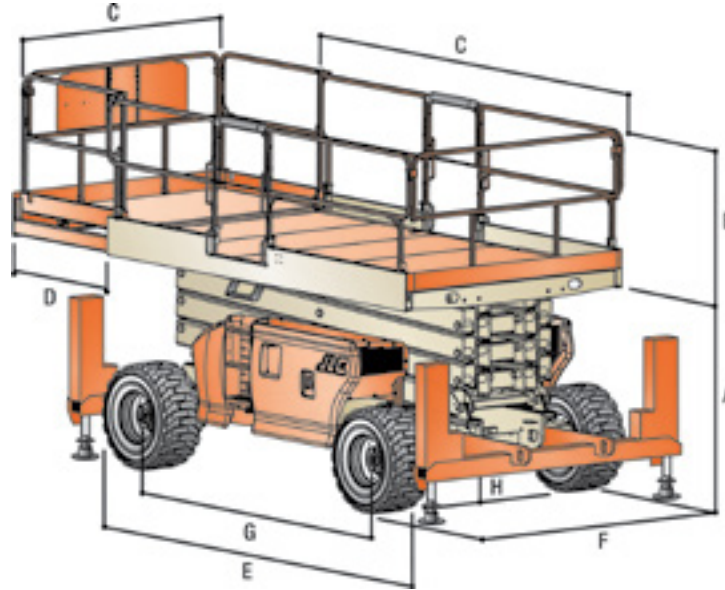
# LRT SERIES

ROUGH TERRAIN SCISSOR LIFTS

**JLG**  
reachingout®

## Dimensions

All dimensions are approximate.



Platform Height – Elevated			
330LRT	10.06 m	C. Platform Size	330LRT 2.00 m x 3.92 m
430LRT	13.11 m	430LRT	2.00 m x 3.92 m
A. Platform Height – Lowered		D. Platform Extensions	1.22 m (each end)
330LRT	1.62 m	E. Minimum Transport Length	
430LRT	1.79 m	330LRT	4.88 m
B. Platform Railing Height		430LRT	4.88 m
330LRT	1.16 m	F. Overall Width	
430LRT	1.16 m	330LRT	2.31 m
A+B Overall Height		430LRT	2.31 m
330LRT		G. Wheelbase	
- Rails Up	2.77 m	330LRT	2.97 m
- Rails Folded	1.85 m	430LRT	2.97 m
430LRT		H. Ground Clearance	
- Rails Up	2.89 m	330LRT	34.5 cm
- Rails Folded	2.08 m	430LRT	34.5 cm

**JLG**

## The JLG “1 & 5” Warranty

JLG Industries, Inc. backs its products with its exclusive “1 & 5” Warranty. We provide coverage on all products for one (1) full year and cover all specified major structural components for five (5) years. Due to continuous product improvements, we reserve the right to make specification and/or equipment changes without prior notification. This machine meets or exceeds AS/NZS 1418.10 2011 as originally manufactured for intended applications.

### JLG Industries, Inc. (Australia)

358 Park Road  
Regents Park, NSW 2143  
Telephone 02 8718 6300  
Fax 02 8718 6377

[www.jlg.com.au](http://www.jlg.com.au)

An Oshkosh Corporation Company